

USB FEMALE CONNECTORS

P707-SERIES

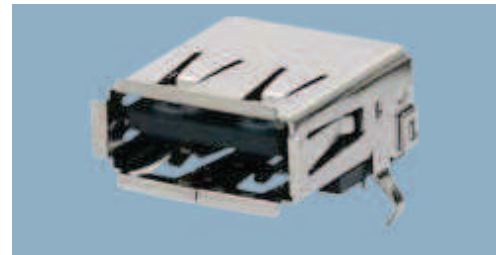
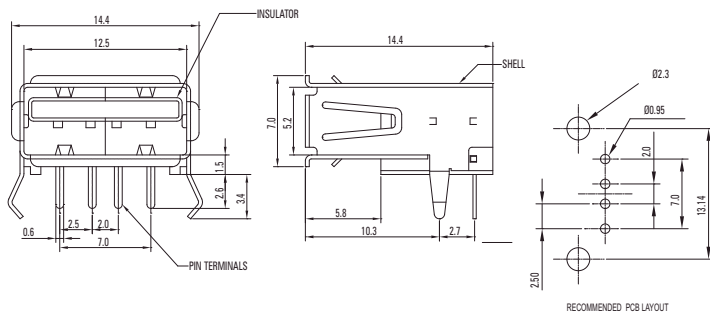
Specifications

Voltage Rating	: 250 V AC Min
Current Rating	: 1.5 A
Contact Resistance	: 30mΩ max.
Insulation Resistance	: 1000MΩ min. At 500 V DC
Dielectric Withstanding	: 750 V AC (rms) for 1 min
Temperature Range	: -40°C To +60°C
Durability (life Test)	: 1500 Cycles
Insertion Force	: 35 N max
Extraction Force	: 10 N min

Material & Finish :	
Contact	: Copper Alloy, Selective Gold Plated
Insulator	: PBT UL 94V-0 (through Hole) Nylon PA9T (SMT)
Shell	: Brass, Nickel Plated

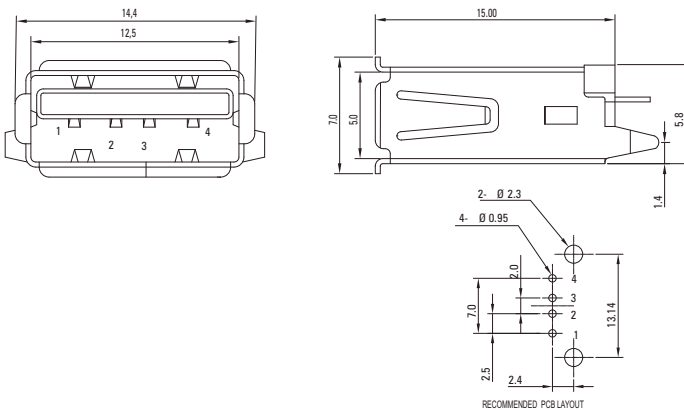
USB A-TYPE, Right Angle

P7070A-04-5



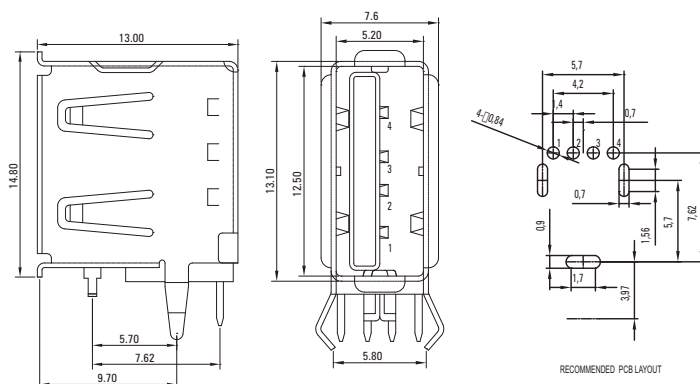
USB A-TYPE, Vertical Mount Top Entry

P7070AS04-5



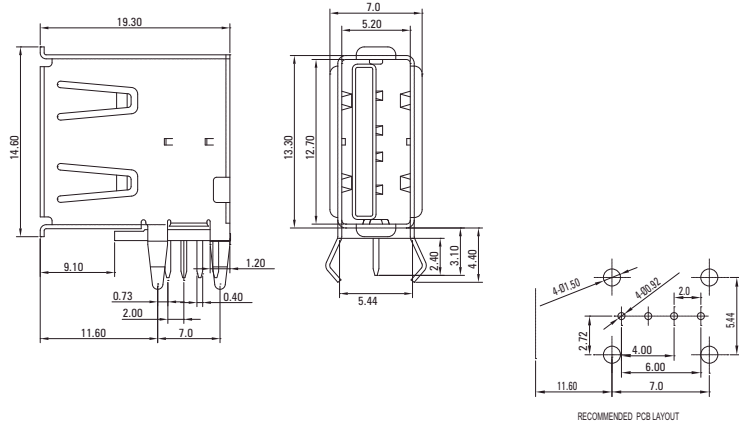
USB A-TYPE, Vertical Mount Right Angle (Upright)

P7070AV04-5



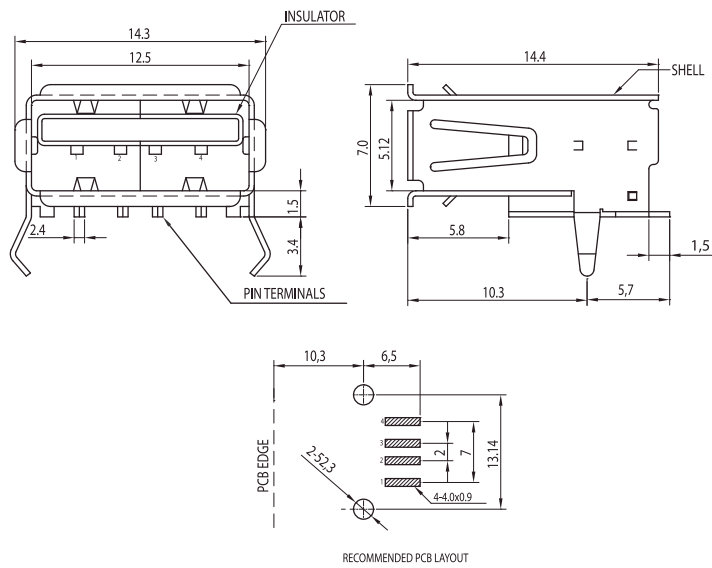
USB A-TYPE, Vertical Mount Right Angle (Upright) Long Body

P7070AV04L-5



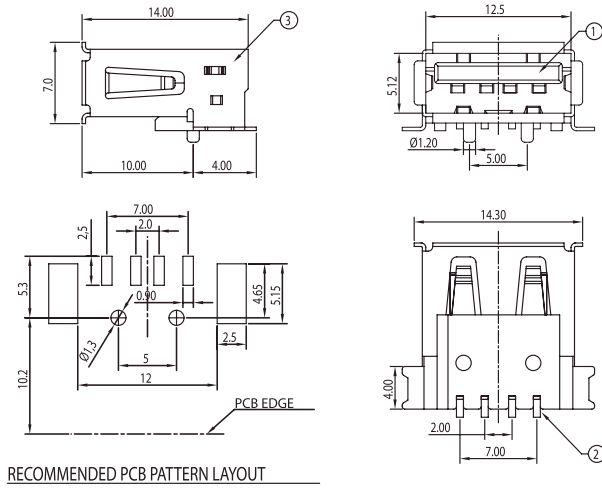
USB A-TYPE, Right Angle Surface Mount

P7070MA04-5



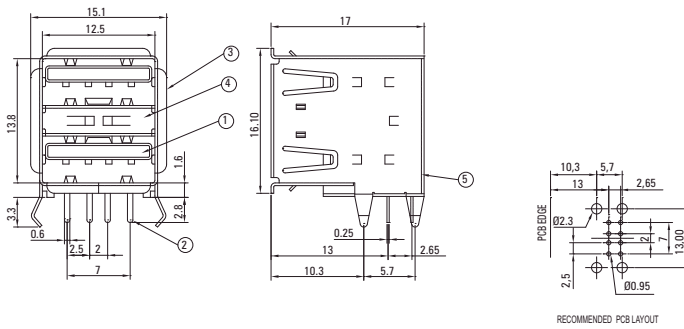
USB A-TYPE, Right Angle, Surface Mount With Alignment Pegs

P7070MA04-5-1



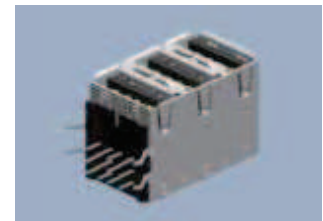
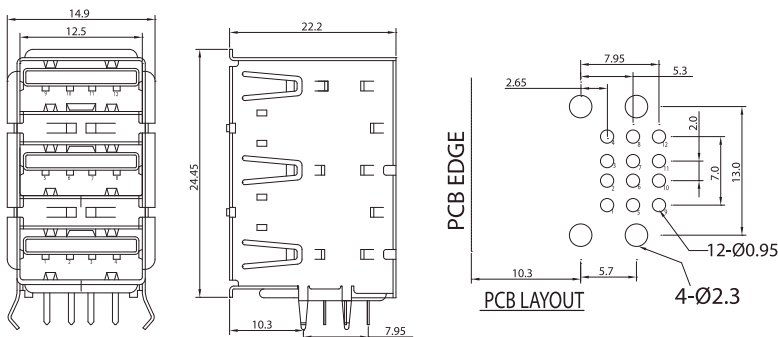
USB A-TYPE, Double Decker (2 Port)

P707DA-08-5



USB A-TYPE, Triple Decker (3 Port)

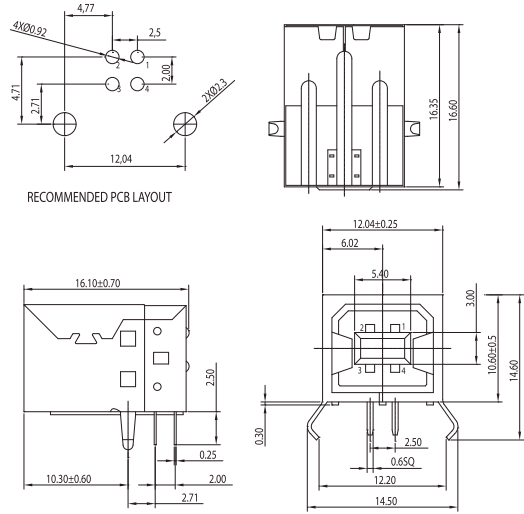
P707TA-12-5



USB CONNECTORS

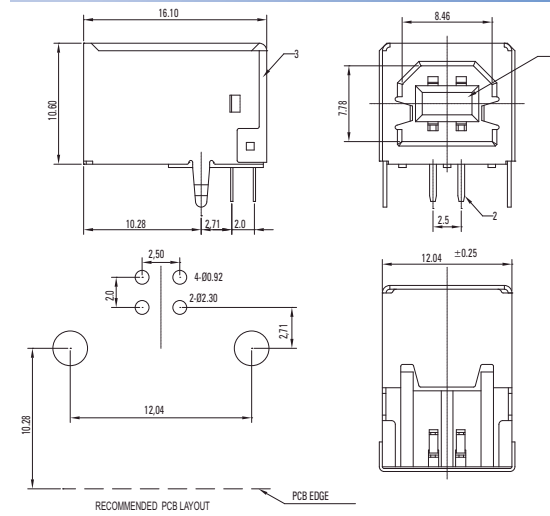
USB B-TYPE, Right Angle

P7070-4P4C



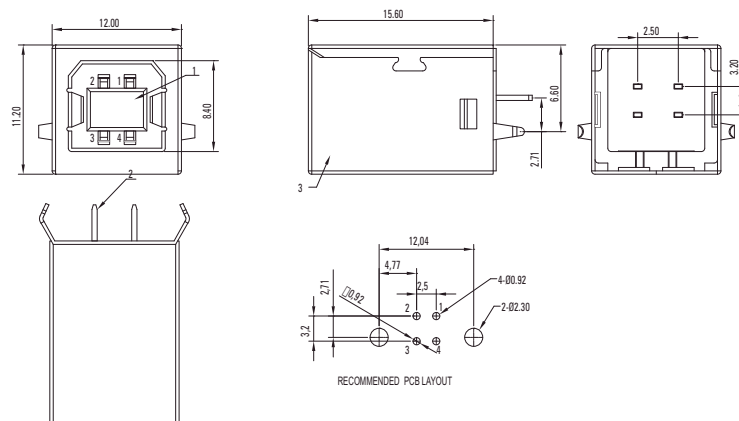
USB B-TYPE, Right Angle Without Kink

P7070B104-5



USB B-TYPE, Vertical Mount Top Entry

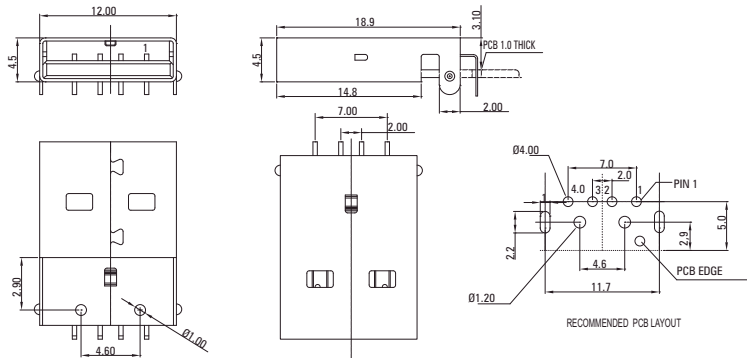
P7070BS04-5



USB A TYPE MALE PLUG CONNECTORS

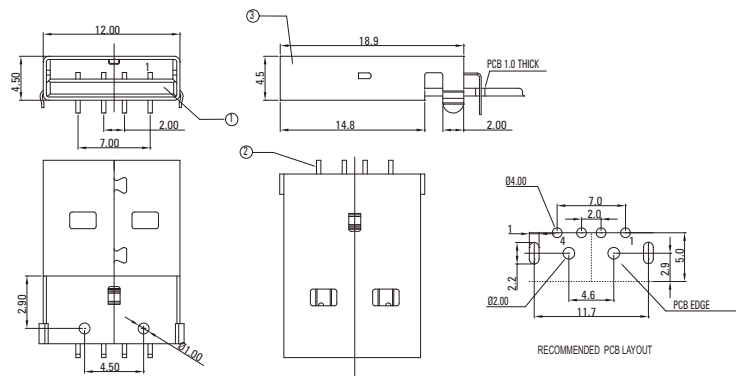
USB A TYPE, Right Angle

P707PA-04-5



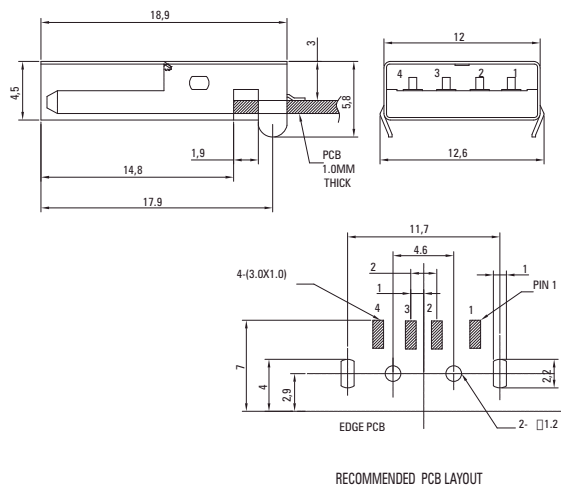
USB A TYPE, Right Angle With Kink

P707PA104-5



USB A TYPE, Right Angle Surface Mount

P707PMA04-5



MINI USB FEMALE CONNECTORS

Specifications

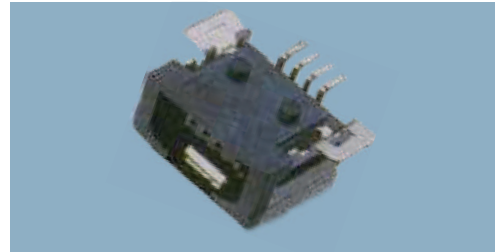
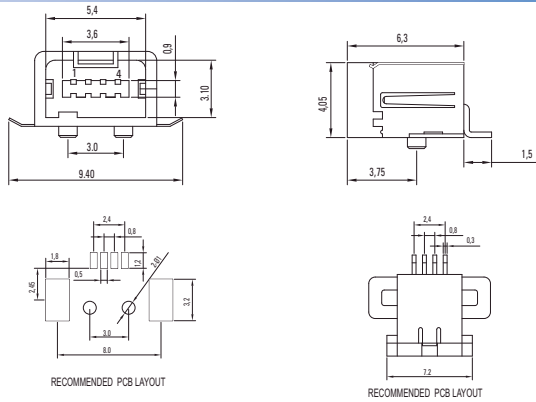
Current Rating	: 1.5 A max.
Contact Resistance	: 30mΩ max.
Insulation Resistance	: 1000MΩ min. At 500 V DC
Dielectric Withstanding	: 500 V AC \ for 1 min
Temperature Range	: -55°C to +105°C
Insertion Force	: 30 N max
Extraction Force	: 10 N min

Material & Finish :

Contact	: Copper Alloy, Selective Gold Plated
Insulator	: Nylon PA9TGF
Shell	: Brass, Nickel Plated

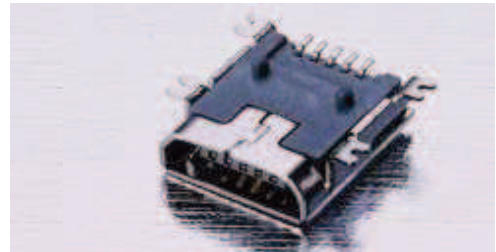
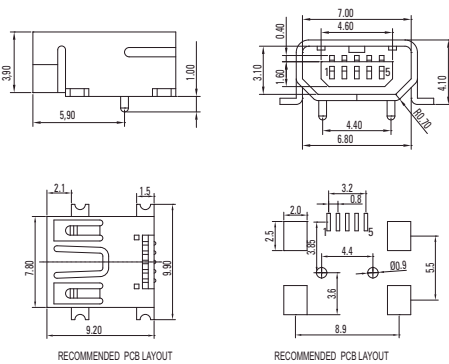
MINI USB A TYPE , Surface Mount

P707MA-04-5



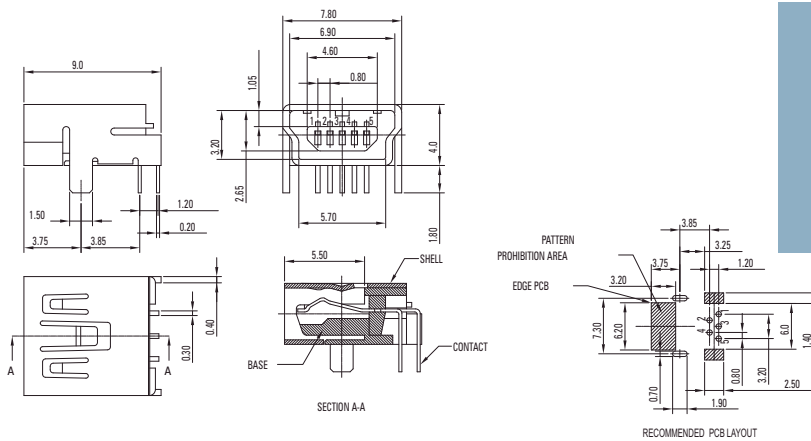
MINI USB AB TYPE, Surface Mount

P707MAB-05-1



MINI USB, B Type Right Angle

P707MB-05-4



MICRO USB B TYPE FEMALE CONNECTOR

Specifications

Voltage Rating	: 5V AC RMS max
Current Rating	: 1.5 A max.
Contact Resistance	: 30mΩ max.
Insulation Resistance	: 100MΩ min. At 100 V DC
Dielectric Withstanding	: 100 V AC for 1 min
Temperature Range	: -30°C To +85°C
Insertion Force	: 30 N max
Extraction Force	: 10 N min

Material & Finish :	
Contact	: Copper Alloy, Selective Gold Plated Gold on contact Area & Gold Flash on Solder Area
Insulator	: High Temperature Thermal Plastic
Shell	: Stainless Steel, Nickel Plated

MICRO USB B TYPE, Surface Mount

P707MIB-05-9

